

HP Color LaserJet 4700 series printer and CM4730 MFP series

4700n • 4700dn • 4700dtn • 4700ph+

CM4730 • CM4730f • CM4730fsk • CM4730fm



Print office documents and marketing material in brilliant color with crisp detail on a range of papers, and watch productivity soar with print, copy, scan, and fax¹ functions integrated into one reliable device.

Brilliant color out of the box

- **Get more done.** Print color and black-and-white documents at speeds up to 31 pages per minute (ppm) with the HP Color LaserJet 4700 series printer and up to 30 ppm with the HP Color LaserJet CM4730 MFP series. Packed with power, this MFP series is a complete office solution—with print, fax, copy, and send-to functionality.^{1,2}
- **Realize the advantages of color**—For professional results and brilliant color every time, count on HP ColorSphere toner and ImageREt 3600. The reliable, all-in-one design of Original HP Color LaserJet print cartridges provides you with trouble-free printing, page after page, cartridge after cartridge. HP's color access controls help you protect your investment, while still reaping the benefits of color when you need it. Control who has access to color printing capabilities and monitor color printing.



Easy for IT and end users

- **Enjoy best-in-class HP Jetdirect embedded networking.** Transfer information quickly and reliably for increased efficiency. HP Web Jetadmin offers remote installation, configuration, and proactive management—including color control. The HP Embedded Web Server performs remote diagnostics, sends e-mail alerts, provides job tracking and accounting, and automates supplies ordering.
- **Let the device work for you.** HP Smart printing technology³ works with the device and HP print cartridges to make automatic adjustments for reliable, consistent results every time you print. Simply and conveniently replace cartridges with HP SureSupply™ shopping and online ordering.⁴
- **Easy to use**—Your time is precious, so you want an effortless printing experience. The HP Color LaserJet CM4730 MFP's award-winning HP Easy Select Control Panel redefines usability.⁵

Expandable functionality

- **Take a break from reloading paper.** The HP Color LaserJet 4700 series printer offers an amazing input capacity of up to 2,600 sheets, and the HP Color LaserJet CM4730 MFP series handles your busy workgroup with an input capacity of up to 1,600 sheets. Both products feature a 100-sheet multipurpose tray and 500-sheet input trays.¹
- **Effortlessly deliver finished output.** With scalable finishing features, you'll save. Add the stapler/stacker with job offset to the HP Color LaserJet 4700 series printer to staple your documents or separate print jobs for easy retrieval. For the HP Color LaserJet CM4730 MFP series, choose the 500-sheet stapler/stacker to staple up to 30 pages or the 700-sheet 3-bin mailbox to assign print, copy, and fax output to different mailboxes or assign users to each tray.¹
- **Boost productivity with a multifunction product.**¹ The HP Color LaserJet CM4730 MFP series delivers the same great printer capabilities as the HP Color LaserJet 4700 series printer, plus offers your workgroup easy, high-quality two-sided scanning, copying, and fax via the automatic document feeder (ADF).

Preserves your budget

- **Designed for the way you work**—This MFP series delivers the office functions you perform 96% of the time—letter- and legal-sized printing. While tabloid printing and copy-centric features are nice to have, are they worth the extra expense? Avoid the up to 65% higher purchase prices of comparable digital devices and the up to 36% higher total cost per page.⁶ When you're looking for an MFP that truly fits your usage needs, consider a purchase that makes the most financial sense—relevant functionality at a price that makes sense.⁷

¹ Standard and available features vary according to model. See "Technical Specifications" on page 5 for more details.

² HP Digital Sending Software 4 is optional (not included, sold separately). Software is server based, server required. Trial is included.

³ Using genuine HP supplies ensures availability of all HP printing features.

⁴ To learn more about HP SureSupply™, visit www.hp.com/go/SureSupply.

⁵ Buyer's Lab gave HP a "Pick of the Year" award in December 2006 for "Outstanding Achievement for the User Interface Design of its Multifunction Printers."

⁶ Purchase figure is based on cost comparisons with comparable workgroup-class digital devices available as of June 2006. Total Cost Per Page (TCPP) figure based on short- and long-life consumables, hardware, and service at 6,000 pages/month: color TCPP quoted, mono (black) has a 20% cost advantage.

⁷ Source: Proprietary study of general office paper use worldwide, Lyra Research Inc.



HP Color LaserJet 4700 series printer

- 1 750-sheet stapler/stacker with job offset staples up to 30 sheets for instant reports or presentations
- 2 Automatic two-sided printing at full engine speed
- 3 100-sheet multipurpose tray handles heavy custom media up to 58 lb bond (220 g/m²)
- 4 Five universal 500-sheet input trays support paper up to 32 lb bond (120 g/m²)
- 5 Control panel simultaneously displays up to four lines of text and animated graphics
- 6 Front door allows convenient access to all four HP print cartridges and supplies
- 7 40 GB HP high-performance embedded hard disk
- 8 544 MB total memory quickly and easily handles complex print jobs
- 9 Hi-Speed USB 2.0 port
- 10 Host USB accessory port
- 11 Bidirectional IEEE-1284-C parallel port
- 12 HP Jetdirect Fast Ethernet embedded print server
- 13 Two open EIO slots

HP Color LaserJet 4700ph+ printer shown



Series at a glance



HP Color LaserJet 4700n printer (Q7492A)

- 100-sheet multipurpose tray and 500-sheet input tray 2 for a 600-sheet capacity
- 500-sheet output bin
- 128 MB RAM
- One empty DIMM slot and two empty flash memory slots
- HP Jetdirect Fast Ethernet embedded print server
- Two open EIO slots



HP Color LaserJet 4700dn printer (Q7493A)

- HP Color LaserJet 4700n plus:
- Additional 128 MB RAM for 256 MB total memory
 - Automatic two-sided printing



HP Color LaserJet 4700dtn printer (Q7494A)

- HP Color LaserJet 4700n plus:
- Two additional 500-sheet input trays for a 1,600-sheet capacity
 - Additional 128 MB RAM for 256 MB total memory
 - Automatic two-sided printing
 - Printer stand

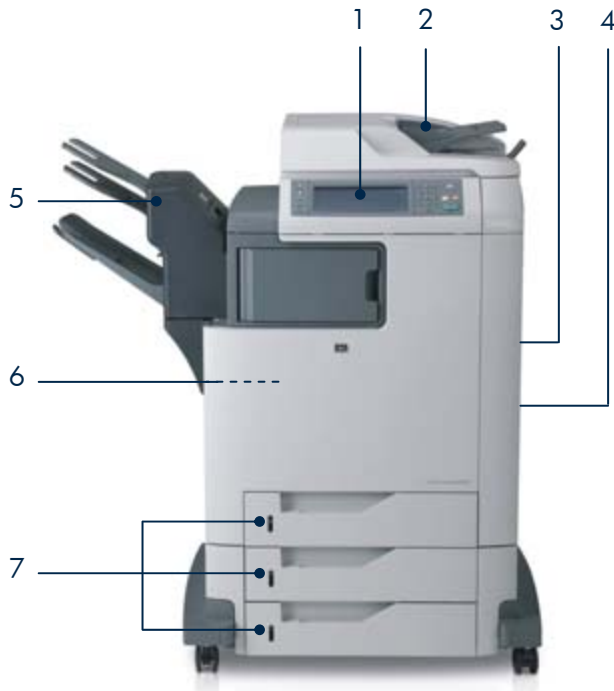


HP Color LaserJet 4700ph+ printer (Q7495A)

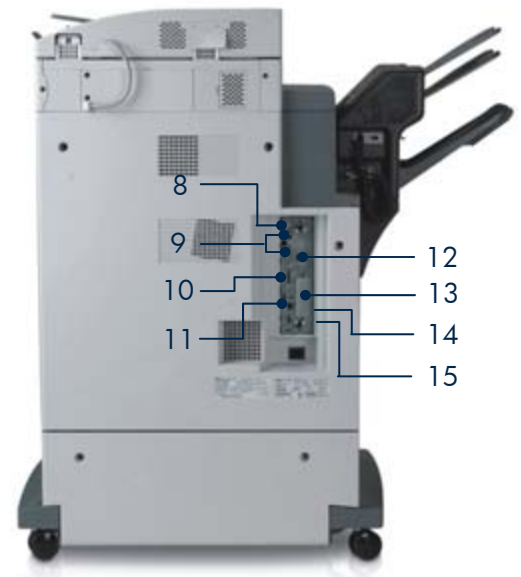
- HP Color LaserJet 4700n plus:
- Four additional 500-sheet input trays for a 2,600-sheet capacity
 - 750-sheet stapler/stacker with job offset in place of the 500-sheet output bin
 - 40 GB HP high-performance embedded hard disk
 - Additional 384 MB RAM for 512 MB total memory
 - Automatic two-sided printing
 - Printer stand

HP Color LaserJet CM4730 MFP series

- 1 HP Easy Select Control Panel provides effortless interaction with the MFP
- 2 50-sheet ADF scanner processes two sided documents at full speed
- 3 100-sheet multipurpose tray handles heavy custom media up to 58 lb bond (220 g/m²)
- 4 Side door allows convenient access to four, all-in-one HP print cartridges
- 5 700-sheet, 3-bin mailbox allows you to sort by user, print, copy, or fax jobs
- 6 Full-speed, automatic two-sided printing
- 7 Three adjustable 500-sheet input trays support paper up to 32 lb bond (120 g/m²)
- 8 Foreign interface harness for third-party paper-handling solutions
- 9 Hi-Speed USB 2.0 ports
- 10 IEEE-1284 C parallel port
- 11 HP Jetdirect Fast Ethernet embedded print server
- 12 RJ-11 fax port
- 13 One open EIO slot to add even more functionality, including Apple networking
- 14 448 MB total memory quickly and easily handles complex print jobs
- 15 40 GB HP high-performance embedded hard disk



**HP Color LaserJet
CM4730fm MFP front view**



**HP Color LaserJet
CM4730fm MFP rear view**

Series at a glance



CM4730



CM4730f



CM4730fsk



CM4730fm

	CM4730	CM4730f	CM4730fsk	CM4730fm
100-sheet multipurpose tray	✓	✓	✓	✓
Three 500-sheet input trays	✓	✓	✓	✓
500-sheet output bin	✓	✓	not available	not available
Memory	448 MB	448 MB	448 MB	448 MB
HP Jetdirect Fast Ethernet print server	✓	✓	✓	✓
Built-in automatic two-sided printing	✓	✓	✓	✓
40 GB high performance hard drive	✓	✓	✓	✓
HP LaserJet MFP Analog Fax Accessory 300	optional	✓	✓	✓
500-sheet stapler stacker	optional	optional	✓	not available
700-sheet, 3-bin mailbox	optional	optional	not available	✓

Get the best-in-class color laser solution that meets your workgroup's demanding performance and print quality needs.

Vivid color and powerful performance

If you want brilliant print quality that exceeds your expectations every time you print, but you don't want to make a lot of adjustments or sacrifice fast printing speed and flexible features, then these devices offer just what you've been looking for. For vibrant color documents and expandable paper-handling capabilities, choose the HP Color LaserJet 4700 series printer, with an input capacity of up to 2,600 sheets as well as finished output with the optional 750-sheet stapler/stacker with job offset.⁸

The HP Color LaserJet CM4730 MFP series expands on the performance and output quality of the HP Color LaserJet 4700 series printer by offering the ability to copy, scan, fax, and digitally send documents to e-mail or network folder. (You cannot upgrade the printer to include these features.) The MFP also offers a standard input capacity of up to 1,600 sheets and a choice of paper-handling output solutions with the 700-sheet, 3-bin mailbox or the 500-sheet, stapler/stacker.⁸

In-house color marketing

Print short-run color documents in-house, quickly and affordably. When you print materials in-house, you have control over the process: you ensure that printing is effective, efficient, and affordable, and that any private company information stays safe. Printing frequently updated materials on-demand, such as promotional material or brochures, means that you can make changes at a moments notice and never waste printed material due to obsolete information. You also save the time and cost of inventory management.

Companies ranging from small to large report that HP's affordable, best-in-class color solutions deliver money to their bottom line. Some ways, such as improving your image and adding impact to marketing publications, are indirect, while others are direct and measurable, such as productivity gains and tangible cost savings with in-house color printing.

HP ColorSphere toner

With HP ColorSphere toner, your prints will shine with uniform gloss and a dynamic range of color. The toner features gloss levels that are significantly improved over previous HP color toners when printing on glossy paper. Improved melting and fusing technologies work in sync with the toner to enable superior toner release and flow. The result is brilliant, intense colors and excellent photo quality output for your business documents.

HP's color toner enables a finer range of colors because each toner particle conforms to an extremely consistent size and shape. This consistency allows particles to be placed on the page with the precision needed to produce a wide range of colors with the most subtle differences in shading.

HP ColorSphere toner is also designed to enable faster printing time. The toner particles are chemically grown around an optimally sized wax core, producing particle sizes that are designed to work with HP's fusing technology for faster printing without sacrificing quality.

Intelligent printing

Designed with office workgroups in mind, the product is simple to install, use, and maintain.

- Integrate documents into workflows with the HP Color LaserJet CM4730 MFP series. Optional HP Digital Sending Software 4 facilitates document workflow and enhances business communications by enabling Optical Character Recognition (OCR), and sending to shared network folders and fax services, including LAN fax, Internet fax, and Windows® fax services.
- HP completely redefines the term usability with the HP Color LaserJet CM4730 MFP's radically simple, award-winning HP Easy Select Control Panel. Take advantage of your MFP's complete feature set with an intuitive interface that clearly displays all available applications. The HP Color LaserJet 4700 series printer control panel offers complete, timely information about the printer and print jobs. Designed for quick and easy troubleshooting, the control panel displays up to four lines of text and animated graphics simultaneously.
- An always-on, internal clock improves product availability for both the HP Color LaserJet CM4730 MFP series and HP Color LaserJet 4700 series printer. Once configured, the product can be configured to automatically wake up from sleep mode so that it is ready to work when you are.

HP color management tools

The HP color access control solution makes color printing and copying more affordable than ever by helping you control who uses color and when they use it:

- **Control color copying.** Color copy lockout allows IT administrators to password-protect the HP Color LaserJet CM4730 MFP series as a black-and-white-only copier, so you can control when and how color is used in your workgroup.
- **Assign color access to specific users or workgroups.** Use either your printer's embedded Web server or HP Web Jetadmin's fleet configuration capability to designate who has access to color printing. That way, people who truly need color—such as your sales team and marketing department—can use it.
- **Assign color access by application.** Designate certain applications for printing color and others for printing black-and-white to ensure that users only print color on their most important print jobs and that other printouts—such as Web pages—are always black-and-white.
- **Shut down color completely or temporarily disable color capability.** Disable color printing on shared printers—locking out all individuals and workgroups—so you can save your color resources for special projects or seasonal needs. HP Web Jetadmin's Print Driver Pre-configuration Plug-in lets IT Administrators set users' print settings to control color printing by print queue.
- **Track color use by job, by user, and by device.** HP Web Jetadmin's Report Generation Plug-in generates real-time and periodic usage reports that make it easy to track color use by job, by user, and by device. Plus, it allows you to easily allocate costs to individual departments.⁹

⁸ Standard and available features vary according to model. See "Technical Specifications" on page 5 for more details.

⁹ Billing solutions are an optional feature available at an additional cost through HP's solution partners.

Technical specifications

	4700n (Q7492A)	4700dn (Q7493A)	4700dn (Q7494A)	4700ph+ (Q7695A)	CM4730 MFP (CB480A)	CM4730f MFP (CB481A)	CM4730fsk MFP (CB482A)	CM4730fm MFP (CB483A)	
Print and copy speed ¹⁰	Up to 31 ppm				Up to 31 ppm, letter (color and black-and-white); Up to 30 ppm, legal (black-and-white)				
First page out, printing	Less than 10 seconds letter, Ready; less than 16.5 seconds letter, PowerSave				Less than 10 seconds letter, Ready; less than 17.5 seconds letter, PowerSave				
Print resolution	600 by 600 dpi, with HP ImageREt 3600								
Features									
Copying	Not available				Up to 999 copies; reduce or enlarge from 25 to 400% (from scanner glass), 25 to 200% (from ADF)				
Faxing	Not available				Optional via fax accessory	Fax speed: up to 33.6 kbps; JBIG compression, fax forwarding, fax polling, broadcasting to up to 100 locations, speed dial (up to 100 numbers), auto fax reduction, and auto redialing supported			
Scanning	Not available				Color flatbed scanner or ADF; up to 600 by 600 dpi 30 bit (flatbed), up to 600 by 300 dpi 30 bit (ADF); scan input modes: copy, e-mail, fax, secondary e-mail, folder, workflow				
Digital sending	Not available				Via optional HP Digital Sending Software: secondary e-mail, send-to-folder, send-to-workflow, authentication, digital fax (send-to-LAN, Windows 2000, Internet); formats: PDF, JPEG, TIFF, MTIFF				
Processor	533 MHz RISC								
Memory, standard	160 MB total	288 MB total		544 MB total	448 MB; 384 MB RAM and 64 MB fixed memory				
Available memory slots	Expandable via one available DIMM slot for memory and two available flash memory card slots for font cards or third party solutions				Expandable via 256 DIMMS, two available flash memory slots for font cards or third party solutions				
Memory, maximum	544 MB RAM				512 MB RAM				
Hard disk	Optional 20 GB HP high-performance via EIO slot				40 GB HP high-performance				
Maximum monthly duty cycle ¹¹	100,000 pages				175,000 pages				
Recommended monthly volume ¹²	3,000 to 10,000 pages				5,000 to 9,000 pages				
Media									
Paper handling	100-sheet multipurpose tray, 500-sheet tray 2 for a total of 600 sheets	100-sheet multipurpose tray, 500-sheet trays 2, 3, 4 for a total of 1,600 sheets	100-sheet multipurpose tray, 500-sheet trays 2, 3, 4, 5, 6 for a total of 2,600 sheets	100-sheet multipurpose tray				500-sheet input trays 2, 3, 4 for a total of 1,600 sheets	50-sheet ADF
Two-sided printing	Manual	Standard automatic two-sided printing							
Output	500-sheet face-down output bin		750-sheet stapler/stacker with job offset	500-sheet face-down output bin		500-sheet stapler/stacker	700-sheet 3-bin mailbox		
Sizes	Multipurpose tray: 3 by 5 in (76 by 127 mm) to 8.5 by 14 in (216 by 356 mm); letter, legal, statement, executive, envelopes (No. 10, commercial); 500-sheet input trays: 5.8 by 8.3 in (148 by 210 mm) to 8.5 by 14 in (216 by 356 mm); letter, legal, executive; custom sizes not supported for automatic two-sided printing, optional 3-bin mailbox, and stapling with the optional stapler/stacker				Multipurpose tray: 3 by 5 in (76 by 127 mm) to 8.5 by 14 in (216 by 356 mm); letter, legal, executive, 16k, envelopes (No. 10, commercial); 500-sheet input trays: 5.8 by 8.3 in (148 by 210 mm) to 8.5 by 14 in (216 by 356 mm); letter, legal, executive, custom sizes not supported for automatic two-sided printing, optional 3-bin mailbox, and stapling with the optional stapler/stacker				
Weights	Multipurpose tray: 16 to 58 lb bond (60 to 220 g/m ²); Automatic two-sided printing, 500-sheet input trays, optional 3-bin mailbox, stapling with the optional stapler/stacker: 16 to 32 lb bond (60 to 120 g/m ²)				Multipurpose tray: 16 to 60 lb bond (60 to 220 g/m ²); Automatic two-sided printing unit, 500-sheet input trays, optional 3-bin mailbox, optional stapler/stacker: 16 to 32 lb bond (60 to 120 g/m ²)				
Types	Paper (plain, preprinted, letterhead, prepunched, bond, recycled, color, light, intermediate, heavy, extra heavy, rough, glossy, heavy glossy, tough), transparencies, labels, envelopes, card stock								
Connectivity									
Interfaces	Bidirectional IEEE-1284-C parallel port, Hi-Speed USB 2.0 port, two open EIO slots, foreign interface for third party solutions, Host USB accessory port				Bidirectional IEEE-1284-C parallel port, Hi-Speed USB 2.0 port, one open EIO slot, foreign interface harness, Host USB accessory port				
Network connectivity	HP Jetdirect Fast Ethernet embedded print server								
Fax interface	Not available				Optional	RJ-11 fax port			
Languages	HP PCL6, HP PCL5c, HP postscript level 3 emulation, direct PDF printing (v 1.4), PML (Printer Management Language)								
Fonts	93 internal TrueType fonts scalable in HP PCL and HP postscript level 3 emulation; additional font solutions available via flash memory				80 internal TrueType fonts scalable in HP PCL and HP postscript level 3 emulation; additional font solutions available via flash memory				
Client operating systems	Windows 98, 2000, Me, XP Home, XP Professional, Server 2003; Mac OS 9.x and higher; Mac OS X 10.1 or higher; optional: OS/2, UNIX®, HP OpenVMS				Windows Vista™ x86, Vista x64, 2000, XP x86, Windows Server 2003 x86, Windows Server 2003 x64, XP x64; Mac OS X v10.2, v10.3, v10.4 or later				
Network operating systems ¹³	Via the HP Jetdirect print server: Windows 98, 2000, Me, XP Home, XP Professional, XP 64-bit, Server 2003; Novell NetWare 3.2, 4.2, 5.x, 6.x (NDPS); Mac OS 8.6 or higher; Red Hat Linux 6.x, 7.x; SuSE Linux 6.x; HP-UX 10.20, 11.x; Solaris 2.5x, 2.6, 7, 8 (SPARC systems only); IBM AIX 3.2.5 or higher; MPE-iX; Citrix MetaFrame; Windows Terminal Services; optional: OS/2, UNIX, HP OpenVMS				Microsoft Windows Vista Compatible, Vista Premium, XP, Server 2003, XP, 2003 64-bit, XP 64-bit, 2000 (IPv6 only supported on Windows 2003 and Windows XP; IPsec on IPv4 only on Windows 2003 and Windows XP); Novell 5.1 and later; Mac OS X v10.2, v10.3, v10.4 or later; Red Hat Linux 7.x and later; SuSE Linux 8.x and later; HP-UX 10.20, 11.x, 11.i; Solaris 2.5 and later (SPARC systems only); IBM AIX 3.2.5 and later; MPE-iX; Citrix MetaFrame Server; Windows Terminal Services				
Network protocols supported ¹³	Via the HP Jetdirect print server: TCP/IP (IP Direct Mode; may require software from the NOS vendor or 3rd party vendor: LPD, FTP, IPP), IPX/SPX, DLC/LLC, AppleTalk, Auto-IP, Apple Rendezvous compatible, NDS, Bindery, NCP, Telnet, SLP, IGMP, BOOTP/DHCP, WINS, SNMP v 1, v 2c and v 3, HTTP				IPv6: DHCPv6, HTTP, HTTPS, Port 9100, IP Direct Mode, LPD, IPP, MLDv6, ICMPv6, Apple Bonjour Compatible, FTP, WS-Discovery; IPv4: FTP, IPP2, Auto-IP, Apple Bonjour Compatible, Telnet, SLP, IGMPv2, BOOTP/DHCP, WINS, SNMPv1/v2c/v3, TFTP, HTTP, HTTPS, Port 9100, LPD, IP Direct Mode; Other: IPX/SPX, AppleTalk, NetWare NDS, Bindery, NDPS, iPrint				
Dimensions (w by d by h)	20.5 by 23.5 by 22.9 in (521 by 598 by 582 mm)	20.5 by 23.5 by 24.7 in (521 by 598 by 628.6 mm)	24.8 by 28.2 by 39.8 in (630 by 715 by 1010.6 mm)	24.8 by 28.2 by 54.2 in (630 by 715 by 1375.5 mm)	31 by 25.2 by 45.4 in (788 by 639 by 1153 mm)		43.5 by 25.2 by 45.4 in (1106 by 639 by 1153 mm)		
Weight	105.1 lb (47.7 kg)	107.8 lb (48.9 kg)	230 lb (104.3 kg)	288 lb (130.5 kg)	273 lb (124 kg)		298 lb (136 kg)		
What's in the box	Printer, HP Jetdirect Fast Ethernet embedded print server, power cable, software drivers and documentation on CD, in-box documentation: Getting Started Guide, full-capacity 11,000-page black and 10,000-page cyan, magenta, and yellow HP Color LaserJet print cartridges ¹⁴ with HP ColorSphere Toner, one 100-sheet multipurpose tray, one 500 sheet input tray				MFP; HP Jetdirect Fast Ethernet embedded print server; power cord; IEEE 1284-C parallel cable; software drivers and documentation on CD; in-box documentation: Getting Started Guide; full capacity 12,000-page black, cyan, magenta, and yellow HP Color LaserJet print cartridges ¹⁴ with HP ColorSphere toner; 100-sheet multipurpose tray; 500-sheet input trays 2, 3, 4; 50-sheet ADF				
Also includes		4700n plus: Automatic two-sided printing accessory	4700dn plus: Printer stand	4700ph+ plus: 40 GB embedded hard drive, stapler/stacker with job offset	CM4730 plus: HP LaserJet MFP Analog Fax Accessory 300, phone cord, Fax Install Guide	CM4730f plus: 500-sheet stapler/stacker	CM4730fsk plus: 700-sheet, 3-bin mailbox		
Environmental ranges									
Operating temperature	Operating: 50° to 86° F (10° to 30° C); recommended: 62.6° to 77° F (17° to 25° C)				Operating: 59° to 86° F (15° to 30° C); recommended: 63° to 77° F (17° to 25° C)				
Relative humidity	Operating: 10 to 80 %; recommended: 30 to 70 %				Operating: 10 to 70 %; recommended: 20 to 60 %				
Altitude	0 to 7500 ft (0 to 2300 m)				0 to 8530 ft (0 to 2600 m)				
Acoustics									
Power	Active: 6.7 B(A); Ready: 7.7 B(A)				Active: 6.8 B(A), copying; 6.3 B(A), printing; Ready: inaudible				
Pressure (bystander)	Active: 50 dB(A), standby: 31 dB(A)				Active: 52 dB(A), copying; 50 dB(A), printing; Ready: inaudible				
Required input voltage ¹⁵	110 to 127 V (±10%), 50/60 Hz (±2 Hz); 220 to 240 V (±10%), 50/60 Hz (±2 Hz)				110 to 127 VAC (±10%), 50/60 Hz (±2 Hz)				
Power consumption ¹⁵									
Active, printing	567 watts		591 watts	623 watts	720 watts			760 watts	
Active, scanning					85 watts				
Ready					26 watts			0.42 watts	
Standby	55 watts		63 watts	66 watts					
PowerSave	17 watts			18 watts					
Off			0.3 watts						
Typical Electricity Consumption (TEC)	ENERGY STAR® qualified models; see: http://www.hp.com/go/energystar				7.731 kWh/Week				
Power certifications									
EMC	CISPR 22: 1997/EN 55022: 1998 Class B; EN 61000-3-2: 1995/A14; EN 61000-3-3: 1995; EN 55024: 1998; FCC Title 47 CFR, Part 15 Class B/ICES-003, Issue 3/GB9254-1998, GB17625.1-1998; EMC Directive 89/336/EEC, the Low Voltage Directive 73/23/EEC, and carries the CE-Marking accordingly				CISPR 22:2005 / EN 55022:2006 Class A, EN 61000-3-2:2000, EN 61000-3-3:1995, EN 55024:1998, FCC Title 47 CFR, Part 15 Class A / ICES-003, Issue 4 / GB9254-1998, GB17625.1-2003, EMC Directive 89/336/EEC and the Low Voltage Directive 73/23/EEC and carries the CE-Marking accordingly				
Safety	Argentina (TUV S Mark-Rs.92/98/Ds.1009/98), Australia (AS/NZ 3260), Canada (cUL-CAN/CSA C22.2 No.60950-00), Mexico (NOM NYCE-NOM 019 SCFI), USA (UL/UL 60950; FDA-21 CFR Chapter 1 Subchapter J for lasers); Class 1 Laser/LED Product				Canada (cUL-CAN/CSA C22.2 No.60950-1-03), USA (UL/UL 60950-1; FDA-21 CFR Chapter 1 Subchapter J for lasers), Class 1 Laser/LED Product.)				
Telecom	Not available				TBR-21:1998; EG 201 121:1998, FCC Part 68, Industry Canada CS03				
Warranty	One-year, next day, on-site limited hardware warranty with phone and e-mail support				One-year, next day, on-site limited warranty				
HP SureSupply™ enabled	To learn more about HP SureSupply™, please visit www.hp.com/go/SureSupply								

¹⁰ Exact speed varies depending on the system configuration, software application, driver, and document complexity.

¹¹ Duty cycle is defined as the maximum number of pages per month of imaged output. This value provides a comparison of product robustness in relation to other HP LaserJet or HP Color LaserJet devices, and enables appropriate deployment of printers and MFPs to satisfy the demands of connected individuals or groups.

¹² HP recommends that the number of printed pages per month be within the stated range for optimum device performance, based on factors including supplies replacement intervals and device life over an extended warranty period.

¹³ Not all protocol and operating system combinations are supported. For more information, go to: www.hp.com/support/net_printing.

¹⁴ All print cartridge page yields are based at five percent page coverage. Declared yield value in accordance with ISO/IEC 19752. For more information, visit www.hp.com/go/pageyield.

¹⁵ Values subject to change. See www.hp.com/support/clj4700 or www.hp.com/support/clj4730 for current information. Power reported is the highest value measured using all standard voltages.

Ordering information

HP Color LaserJet 4700 series printer	Number
HP Color LaserJet 4700n printer	Q7492A
HP Color LaserJet 4700dn printer	Q7493A
HP Color LaserJet 4700dtn printer	Q7494A
HP Color LaserJet 4700ph+ printer	Q7495A
Accessories	
500-sheet paper input feeder	Q7499A
750-sheet stapler/stacker with job offset ¹⁶	Q7003A
Printer stand	Q7501A
HP Color LaserJet Print Cartridges with HP ColorSphere Toner¹⁷	
Black Print Cartridge (11,000 pages)	Q5950A
Cyan Print Cartridge (10,000 pages)	Q5951A
Yellow Print Cartridge (10,000 pages)	Q5952A
Magenta Print Cartridge (10,000 pages)	Q5953A
Connectivity accessories	
HP Jetdirect 625n Gigabit Ethernet internal print server	J7960G
HP Jetdirect 635n IPv6/IPsec and Gigabit Ethernet internal print server	J7961G
HP Jetdirect ew2400 802.11g Wireless & Fast Ethernet external print server (USB Hi-Speed)	J7951G
HP Jetdirect en3700 Fast Ethernet external print server (USB Hi-Speed)	J7942G
HP bt1300 Bluetooth® Wireless Printer Adapter	J6072G
Memory and storage	
20 GB HP high-performance EIO hard disk	J6073A
128 MB 200-Pin DDR DIMM	Q7721A
256 MB 200-Pin DDR DIMM	Q7722A
512 MB 200-Pin DDR DIMM	Q7723A
Cables	
Parallel cable, 3-meter IEEE 1284 (a to c)	C2946A
Parallel cable, 10-meter IEEE 1284 (a to c)	C2947A
HP USB cable, 1.83-meter (a-b)	C6518A
Supplies	
Staple cartridge (5,000 staples) for stapler/stacker with job offset	C8091A
110 volt image fuser	Q7502A
220 volt image fuser	Q7503A
110 volt image transfer kit	Q7504A
Service and support	
3-year warranty service, 4-hour response, standard business hours (9x5)	U3795E
3-year next business day response	H3113E
Networked hardware installation and configuration	H2872E
Paper	
North America: www.hp.com/go/everydaypapers	
Contact HP via phone: USA: 1-800-477-5010	
Third-party solutions	
www.hp.com/go/gsc	

¹⁶ Compatible with HP Color LaserJet 4700dn, 4700dtn, and 4700ph+ printer models only.

¹⁷ All print cartridge page yields are based at five percent page coverage. Declared yield value in accordance with ISO/IEC 19752. For more information, visit www.hp.com/go/pageyield.



HP Color LaserJet CM4730 MFP series	Number
HP Color LaserJet CM4730 MFP	CB480A
HP Color LaserJet CM4730f MFP	CB481A
HP Color LaserJet CM4730fsk MFP	CB482A
HP Color LaserJet CM4730fm MFP	CB483A
Accessories and software	
500-sheet stapler/stacker	Q7521A
700-sheet, 3-bin mailbox	Q7523A
HP LaserJet MFP Analog Fax Accessory 300	Q3701A
HP Digital Sending Software 4	T1936AA
HP AutoStore	T1943AA
HP Color LaserJet Print Cartridges with HP ColorSphere Toner¹⁷	
Black Print Cartridge (12,000 pages)	Q6460A
Cyan Print Cartridge (12,000 pages)	Q6461A
Yellow Print Cartridge (12,000 pages)	Q6462A
Magenta Print Cartridge (12,000 pages)	Q6463A
Connectivity accessories	
HP Jetdirect en1700 USB 2.0 Print Server	J7988G
HP Jetdirect en3700 USB 2.0 Print Server (print only)	J7942G
HP Jetdirect ew2400 wireless USB 2.0 Print Server (print only)	J7951G
HP Jetdirect 510x Parallel Print Server (print only)	J7983G
HP Jetdirect 300x Parallel Print Server (print only)	J3263G
HP Jetdirect 635n EIO Print Server	J7961G
HP Jetdirect 630n EIO Print Server	J7997G
Memory and storage	
128 MB 200-Pin DDR DIMM	Q7721A
256 MB 200-Pin DDR DIMM	Q7722A
512 MB 200-Pin DDR DIMM	Q7723A
Cables	
Parallel cable, 3-meter IEEE 1284 (a to c)	C2946A
Parallel cable, 10-meter IEEE 1284 (a to c)	C2947A
Supplies	
Staple cartridge (5,000 staples) for stapler/stacker	C8091A
ADF replacement Mylar sheets	Q6496A
ADF maintenance kit	Q5997A
110 volt image fuser	Q7502A
220 volt image fuser	Q7503A
110 volt image transfer kit	Q7504A
Service and support	
3-year, warranty service, 4-hour response, standard business hours (9x5)	HC116E
3-year, warranty service, 4-hour response, extended business hours (13x5)	HC119E
3-year, next business day response	HC113E
Networked hardware installation and configuration	U2010E
Paper	
North America: www.hp.com/go/everydaypapers	
Contact HP via phone: 1-800-477-5010	
Third-party solutions	
www.hp.com/go/gsc	

© Copyright 2005, 2006, 2007 Hewlett-Packard Development Company, L.P.

The information contained herein is subject to change without notice. The only warranties for HP products and services are set forth in the express warranty statements accompanying such products and services. Nothing herein should be construed as constituting an additional warranty. HP shall not be liable for technical or editorial errors or omissions contained herein.

The Bluetooth trademarks are owned by its proprietor and used by Hewlett-Packard Company under license. ENERGY STAR and the ENERGY STAR logo are registered U.S. marks. Linux is a U.S. registered trademark of Linus Torvalds. Microsoft, Windows, Windows NT and Windows XP are registered trademarks of Microsoft Corporation. RED HAT READY™ Logo and RED HAT CERTIFIED PARTNER™ Logo are trademarks of Red Hat, Inc. Microsoft, Windows, and Windows XP are U.S. registered trademarks of Microsoft Corporation. UNIX is a registered trademark of The Open Group. Windows Vista is either a registered trademark or trademark of Microsoft Corporation in the United States and/or other countries.

Printed in U.S.A.

For more information visit our website at www.hp.com

4AA1-1150ENUC, Rev. 1.1, 03/2007

